

XL LED Indicator

Easy to mount everywhere you like, with bracket or magnet sheet.

FEATURES

- Illuminating Size: 60X210mm
- Thickness: Only 14mm
- AC use available with AC adapter (* AC adapter is not appended.)
- LED Color: Red, Green, Yellow, Blue
- Dual Color: Red/Green, Red/Blue, Blue/Green
- In compliance with RoHS order



SPECIFICATIONS

SPECIFICATIONS	
Insulation Resistance	More than 100MΩ at 500V DC
Dielectric Strength	1500V AC RMS between terminals and ground (50/60Hz for 60sec. at normal ambient temperature and humidity)
Reverse Dielectric Strength	150V
Ambient Temperature	-10~40°C
Ambient Humidity	45~85% RH

LED DATA

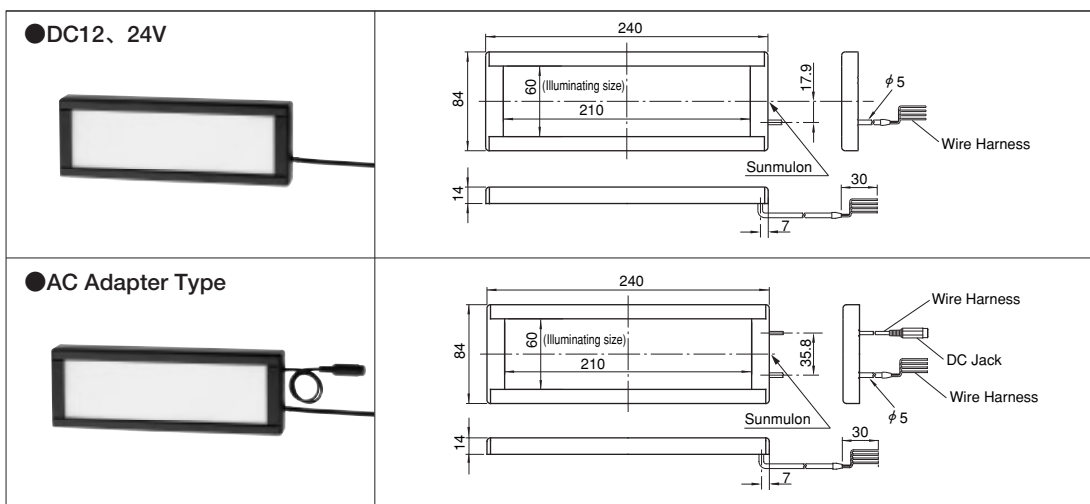
DC Supply Voltage	Current Rating															
	Mono-Color(Standard)				Mono-Color(Dimmer)				Dual Color(Standard)				Dual Color(Dimmer)			
	Red	Yellow	Blue	Green	Red	Yellow	Blue	Green	Red	Yellow	Blue	Green	Red	Yellow	Blue	Green
DC12V (±5%)	115	110	100	100	70	70	40	40	115	110	100	100	70	70	40	40
DC24V (±5%)	40	40	50	50	20	20	25	25	40	40	50	50	20	20	25	25
AC Adapter type	25	25	25	25	—				25	25	25	25	—			
Note	※ In case of simultaneous lighting with DC12V/24V, please connect (+) with LC-D(Dimmer) ※ Simultaneous lighting /Dimmer function is not available for AC adapter type.															

● LED Dominant Wave Length (nm)

Red	630
Green	525
Yellow	590
Blue	470

(Typ.)

DIMENSIONS



WIRE HARNESS/WIRING

●DC12、24V

Wire Harness : UL1007 AWG#26

Wire Color	Brown	Red	Orange	Yellow
Function	LC-S (+) Standard	LC-D (+) Dimmer	L1 (-)	L2 (-)

Dual Color combination

LC-S _D -L1	Red	Red	Green
LC-S _D -L2	Blue	Green	Blue

●AC Adapter Type

Wire Harness : UL1007 AWG#26

Wire Color	Brown	Red	Orange	Yellow
Function	No Use	COM	L1	L2

※Main Unit is 12V type.

※Connect with AC Adapter and make short-circuit CM-L1, L2 accordingly.

※ AC adapter is not appended.

AC Adapter Use	DC12V Output Center (+), φ 2.1 X φ 5.5
----------------	---

Dual Color combination

COM-L1	Red	Red	Green
COM-L2	Blue	Green	Blue

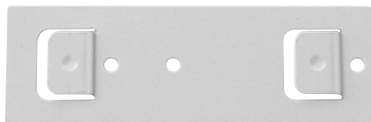
MOUNTING METHOD

●Mounting Metal/Mounting Bracket



SECC
t=0.8

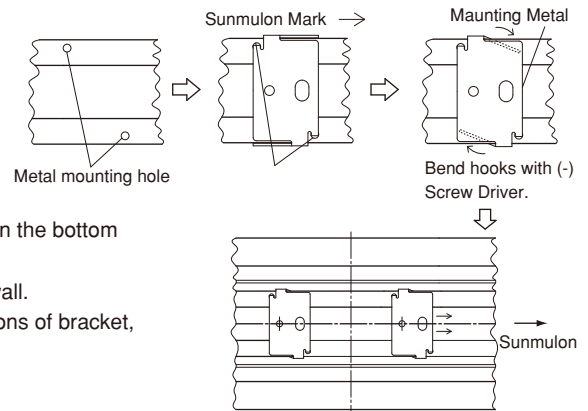
Mounting Metal
(Mount on the unit)



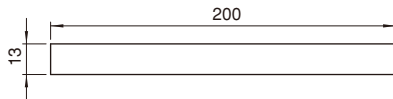
SECC
t=0.8

Mounting Bracket (Mount on the wall)

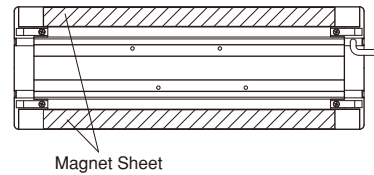
1. Mount 2 pcs. of metal on the bottom of the unit.
2. Mount Bracket on the wall.
3. Set metals and projections of bracket, and slide in.



●Magnet Sheet



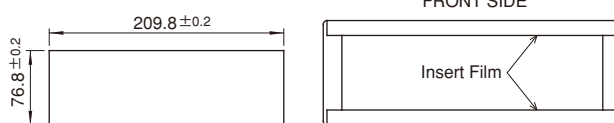
2 pcs. of Magnet Sheet with couple-face tape to be appended.



On the other hand, it is possible to mount with adhesive couple-face tape or hang with string etc., provided that you confirm its safety.

RECOMMENDED SIZE OF INSERTING FILM

●INSERTING FILM (PET t=0.1)



※Please write favorite words down with PC and print on film. Then, cut the film accordingly.

ORDERING CODE

XL — [] [] [] [] [] []

●ILLUMINATION

W0	Mono Color
W3	Dual Color

●LED COLOR

Mono Color	7	Red
	9	Yellow
	14	Blue
	18	Green
Dual Color	7 : 14	Red · Blue
	7 : 18	Red · Green
	14 : 18	Blue · Green

●HOUSING COLOR

K	Black
F	Ivory

●SUPPLY VOLTAGE

2	12V
3	24V
A	AC Adapter Type

●WIRE HARNESS LENGTH

W1	500mm
W2	1000mm

●MOUNTING ACCESSARY

1	Mounting Metal
2	Magnet Sheet
X	Not needed

※To be appended

Mono Color : Put color no. into the frame 1
Dual Color : Put color no. into the frame 1,2 (714, 718, 1418)