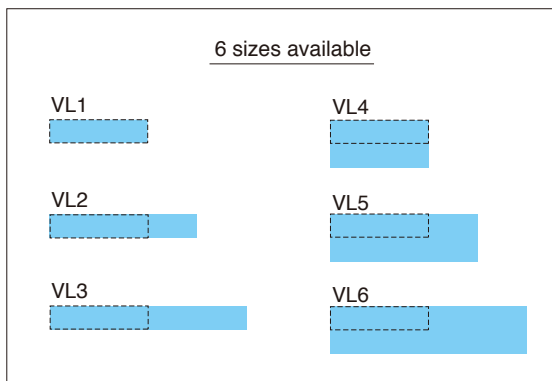
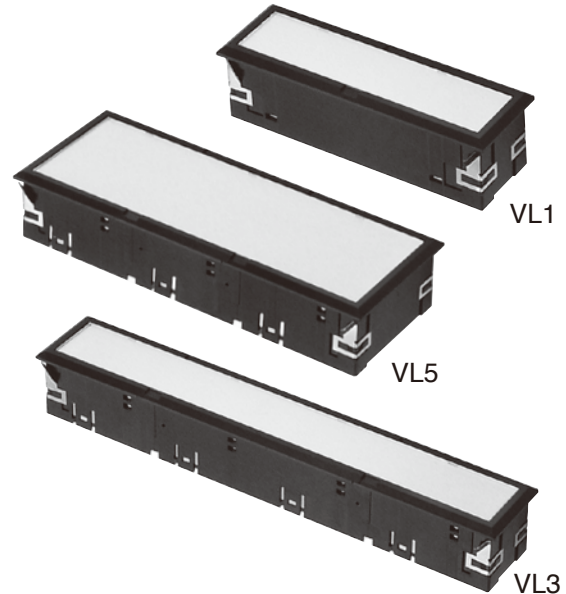


6 SIZES AVAILABLE

Select from 6 kinds of face size, according to necessary information.

Available 6 sizes according to number of characters which are desired to indicate.

- **Face size**
17 × 72mm(VL1=basic size) and other 5 sizes.
- **Depth behind panel**
20mm(except connector)
- **Terminal**
Connector Type (Connector appended). Optional wire harness provided.
- **LED color**
Red, Green, Yellow & Super Blue, Super Green, Super White (Hi bright LED) available.



SPECIFICATIONS

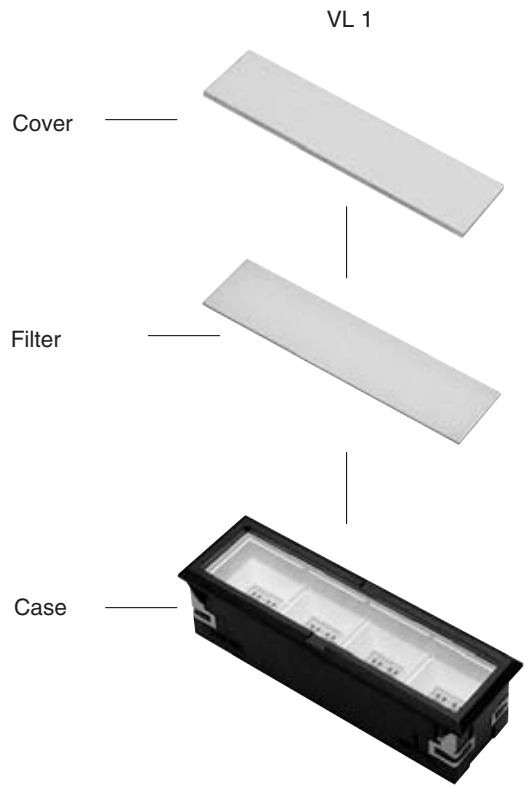
Item	Specifications	Item	Specifications
Insulation Resistance	More than 100MΩ at 500V DC	Ambient Temperature	-10°C ~ 40°C
Dielectric Strength	1500V AC RMS between terminals and ground (50/60Hz for 60sec. At normal ambient temperature and humidity)	Ambient Humidity	45 ~ 85%RH
Reverse Dielectric Strength	150V		

LED DATA

t = 25°C


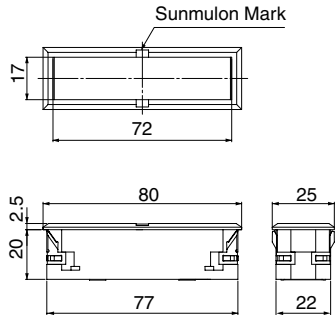

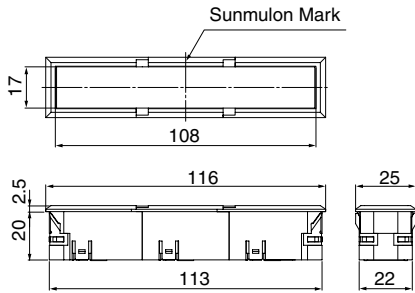
DC Supply Voltage (V) ± 5%	Current Rating (mA) full-face					
	VL1					
	Red	Yellow	Green	Super Blue	Super Green	Super White
DC5V	31	46	57			
DC12V	29	46	54	34	18	17
DC24V	15	24	28	17	9	9
VL2 : VL1×1.5times (each color)		VL4 : VL1×2times (each color)		VL6 : VL1×4times (each color)		
VL3 : VL1×2times (each color)		VL5 : VL1×3times (each color)				

STRUCTURE



※ Light Cartridge (LED portion) is not removable. (Impossible to replace LED)

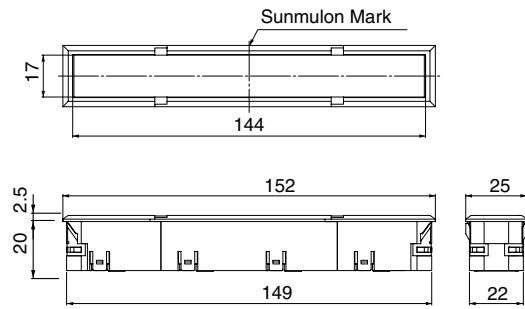
DIMENSIONS

<p>VL1 (17×72)</p> 	
<p>VL2 (17×108)</p> 	

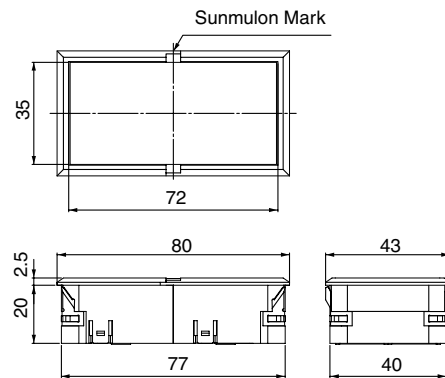
Tolerance : ±0.4mm

DIMENSIONS

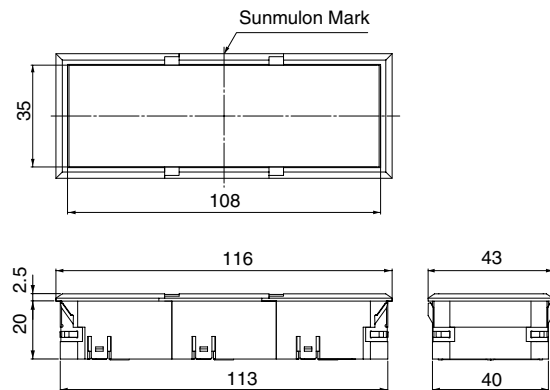
VL3 (17×144)



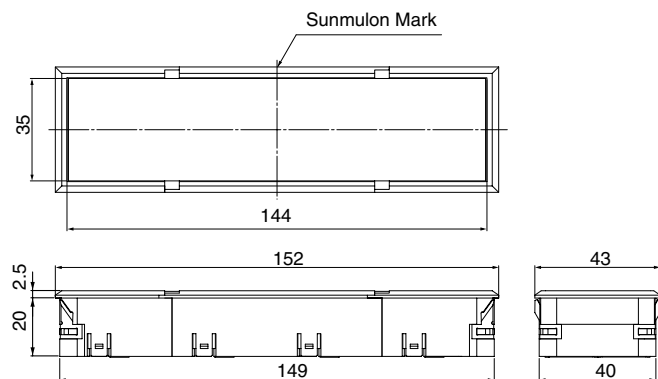
VL4 (35×72)



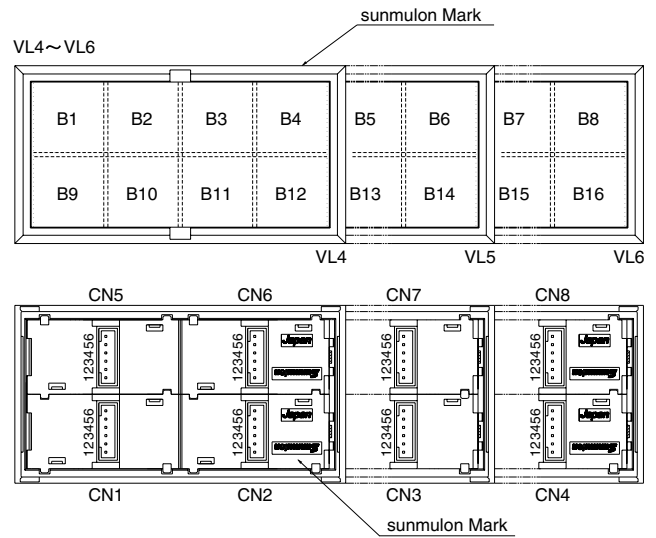
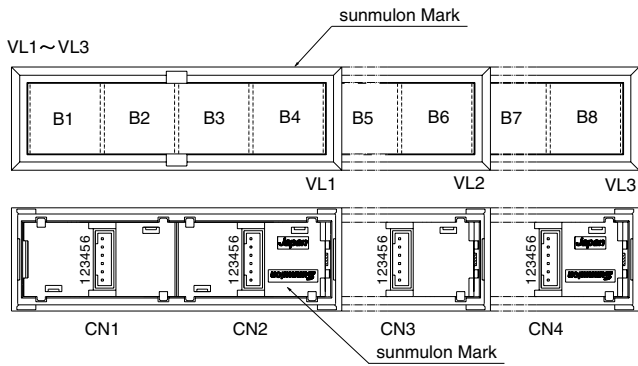
VL5 (35×108)



VL6 (35×144)



TERMINAL LAYOUT



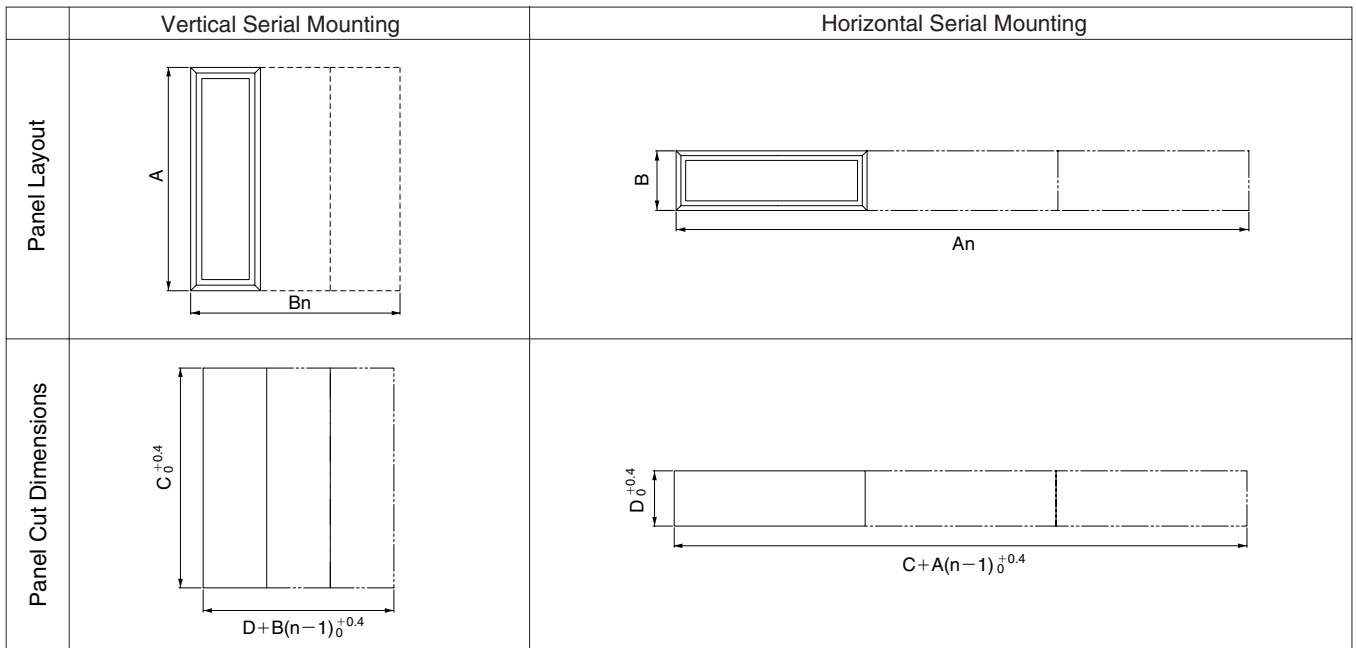
● VL1~VL6 (full-face)

Terminal No.		VL1	VL2	VL3
CN1	1	COM	Anode (+)	Anode (+)
	2			
	3	L1	Cathode (-)	Cathode (-)
	4			
	5	L1	Cathode (-)	Cathode (-)
6				
usable connector (each 2 pcs.)		CN1,CN2(common)	CN1,CN3(common)	CN1,CN4(common)

Terminal No.		VL4	VL5	VL6
CN1 CN5	1	COM	Anode (+)	Anode (+)
	2			
	3	L1	Cathode (-)	Cathode (-)
	4			
	5	L1	Cathode (-)	Cathode (-)
6				
usable connector (each 4 pcs.)		CN1,CN2(common) CN5,CN6(common)	CN1,CN3(common) CN5,CN7(common)	CN1,CN4(common) CN5,CN8(common)

PANEL LAYOUT/PANEL CUT DIMENSIONS

Panel thickness: 1~4mm



n: number of indicators

Dimensions	VL1	VL2	VL3	VL4	VL5	VL6
A	80	116	152	80	116	152
B	25	25	25	43	43	43
C	77.4	113.4	149.4	77.4	113.4	149.4
D	22.4	22.4	22.4	40.4	40.4	40.4

