

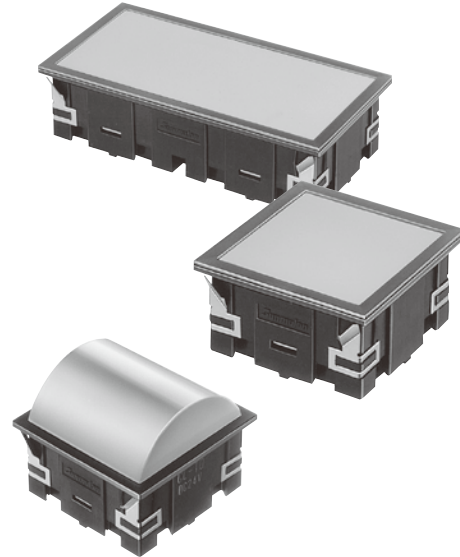
CL LED Indicator

Bright and Various Illumination makes easy planning of multiple design.
Easy Matrix Mounting available.
Dome Cover type (easy to look) provided.

Various illumination (Mono Color, Split-Face, 3-color, Negative) available.

FEATURES

- Size : 40mm square type.
- 40×80mm rectangular type.
- Depth behind panel : Only 20mm
- Illumination : Mono-Color, Split-Face, 3-Color (Red, Green, Yellow), Negative
- Dome Cover type (easy to look) available.
- Terminal : Connector Type
- Mounting : Snap-in Type
(Matrix mounting is possible to use "joint".)



SPECIFICATIONS

Insulation Resistance	More than 100MΩ at 500V DC
Dielectric Strength	1500V AC RMS between terminals and ground (50/60Hz for 60sec. at normal ambient temperature and humidity)
Reverse Dielectric Strength	150V
Ambient Temperature	-10°C~+40°C
Ambient Humidity	45~80% RH

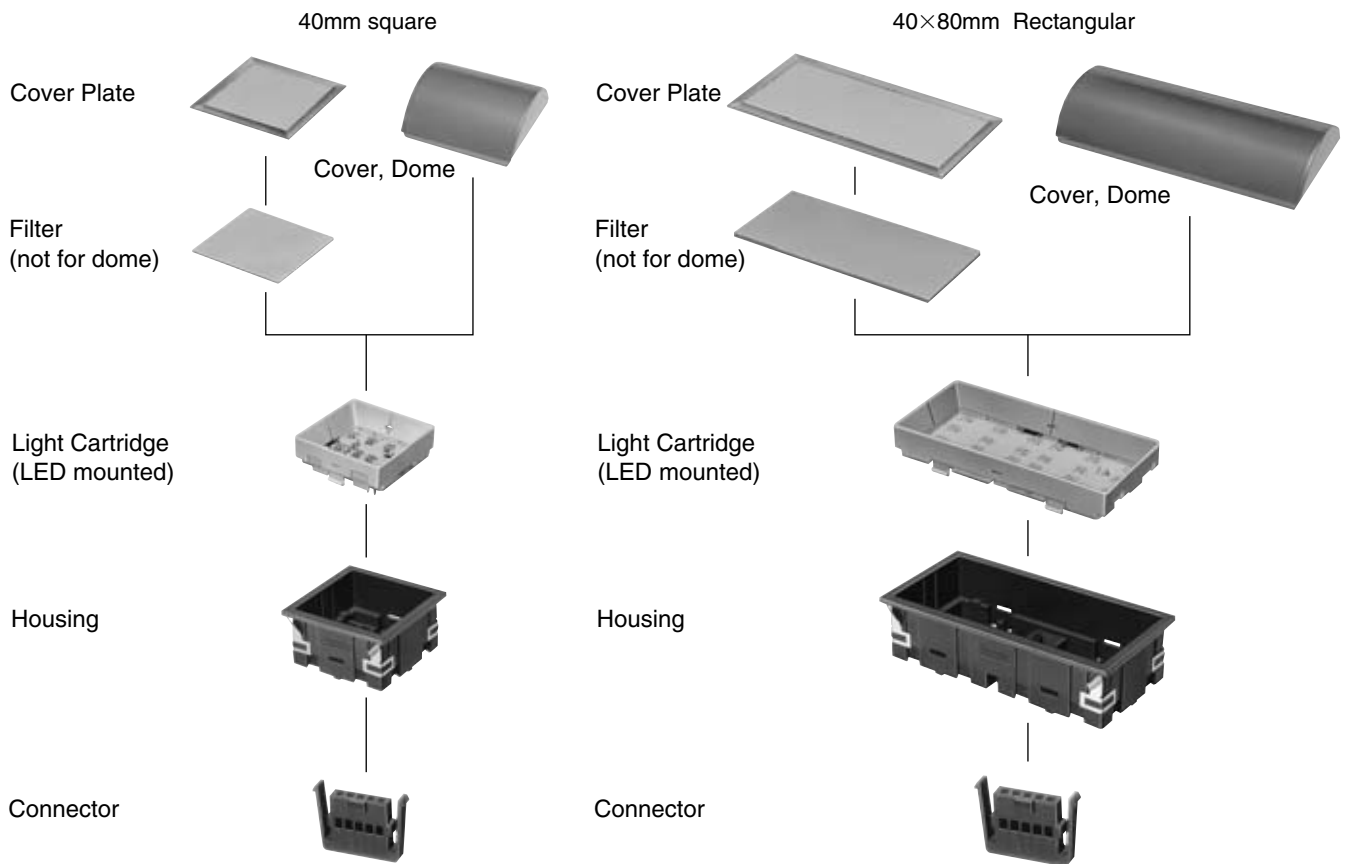
LED DATA

	DC Supply Voltage (V)	Current Rating (mA)						
		Mono-Color		Split-Face		3-Color		
		Red	Green/Yellow	Red	Green/Yellow	Red	Green	Yellow
40×40	DC12 (±5%)	52	80	26	40	52	80	80
	DC24 (±5%)	26	40	13	20	26	40	40
40×80	DC12 (±5%)	104	160	52	80	104	160	160
	DC24 (±5%)	52	80	26	40	52	80	80

LED DATA (Super CL LED COLOR)

	DC Supply Voltage (V)	Current Rating (mA)											
		Mono-Color						Split-Face			3-Color		
		Red	Green	Yellow	Super Blue	Super White	Super Green	Red	Green	Yellow	Red	Green	Yellow
40×40	DC12 (±5%)	30	54	40	14	12	12	16	27	20	30	54	54
	DC24 (±5%)	15	27	20	7	6	6	8	14	10	15	27	27
40×80	DC12 (±5%)	55	106	72	28	24	24	32	54	36	55	106	95
	DC24 (±5%)	27	53	36	14	12	12	16	27	18	27	53	53

STRUCTURE



DIMENSIONS

40mm square	Flat type				
	Dome type				

Tolerance : ±0.4mm

DIMENSIONS

40×80mm Rectangular	Flat type		<p>80 76 40 36 30 20 2.5 Sunmulon Mark Top View</p>
	Dome type		<p>80 74.8 76 40 34.8 R18.7 30 36 20 1.5 11.9 Sunmulon Mark Top View</p>

Panel Thickness 1mm~4mm

Matrix Mounting (Without Matrix Frame)		<p>Row Column $(40n+80m)-3.4^{+0.4}_0$ $(40n+80m)-3.4^{+0.4}_0$ Panel Cut Dimension Square A A Rectangular A B ※ n : Number of A size (Row/Column) m : Number of B size (Row/Column) $40n+80m$ $(40n+80m)-4$ $40n+80m$ $(40n+80m)-4$</p>

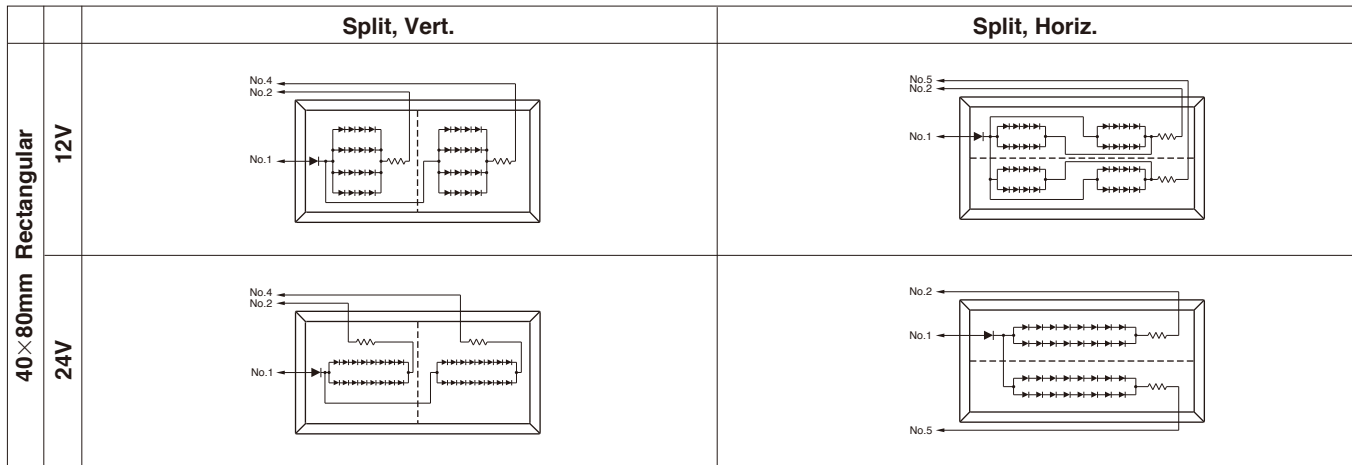
Tolerance : ±0.4mm

INTERNAL CONNECTION ARRANGEMENTS

40mm square	12V	Full-Face	3-Color	Split, Vert.
	24V	<p style="text-align: center;">Sunmulon mark</p> <p style="text-align: center;">BOTTOM VIEW TOP VIEW</p>		
40x80mm Rectangular	12V	Full-Face	3-Color	
	24V	<p style="text-align: center;">Sunmulon mark</p> <p style="text-align: center;">BOTTOM VIEW TOP VIEW</p>		

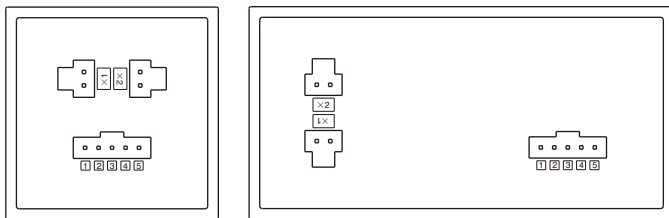
Tolerance : $\pm 0.4\text{mm}$

INTERNAL CONNECTION ARRANGEMENTS

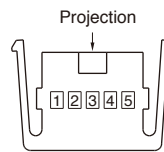


TERMINAL

● TERMINAL LAYOUT



● CONNECTOR



● Suitable wire

Wire size	Diameter
AWG#24-28	1.0-1.5mm

Pin No.	40mm square			40×80mm Rectangular			
	Full-Face	Split-Face	3-Color	Full-Face	Split, Vert.	Split, Horiz.	3-Color
1	Anode (+)	Anode (+)	Anode (+)	Anode (+)	Anode (+)	Anode (+)	Anode (+)
2		Cathode (-)	Cathode (-) Green		Cathode (-)	Cathode (-)	Cathode (-) Red
3	Cathode (-)		Cathode (-) Red				Cathode (-) Green
4		Cathode (-)	Cathode (-) Yellow		Cathode (-)		Cathode (-) Yellow
5	Cathode (-)			Cathode (-)		Cathode (-)	

Note: Simultaneous lighting is impossible while pin no. 2, 3, 4 for 3-Color Type, also impossible while pin no. 2, 3 and 4, 5 for Split-Face Dual Color Type.

● Super CL LED COLOR

Pin No.	40mm square			40×80mm Rectangular			
	Full-Face	Split-Face	3-Color	Full-Face	Split, Vert.	Split, Horiz.	3-Color
1	Anode (+)	Anode (+)	Anode (+)	Anode (+)	Anode (+)	Anode (+)	Anode (+)
2		Cathode (-)	Cathode (-) Green		Cathode (-)	Cathode (-)	Cathode (-) Red
3	Cathode (-)		Cathode (-) Red				Cathode (-) Green
4		Cathode (-)	Cathode (-) Yellow		Cathode (-)		Cathode (-) Yellow
5	Cathode (-)			Cathode (-)		Cathode (-)	

Panel Layout/Panel Cut Dimensions

Panel thickness : 1~4mm

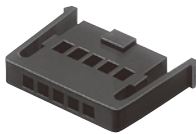
		Panel Layout	Panel Cut Dimensions
40×80mm	30mm square		
	Serial Mounting		
	Rectangular		
	Vert., Serial Mounting		
	Horiz. Serial Mounting		

n : number of indicators

ACCESSORIES

Connector (appended)

Part No. BL-0077



Housing



Contact Pin
Honda Tsushin Kogyo made
(HKP-F403)

Connector (1Housing & 5 Contact Pins) to be appended.

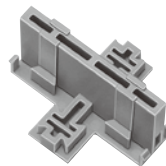
Contact Pin press Tool



Honda Tsushin Kogyo made (KP-309)

Joint (Use for Matrix mounting)

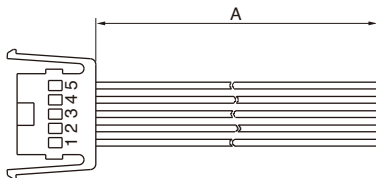
Part No. CL-0160



Tolerance : ±0.4mm

Wire Harness

Wire : UL1061, AWG26



Pin no.	1	2	3	4	5
Color	Red	Green	Yellow	Blue	Grey

A Length	Part No.
50cm	CL-0230
100cm	CL-0231

ORDERING CODE I

UNIT

CL — 1 2 1 2

● SHAPE & ILLUMINATION

S0	40mm square, Full-Face	
S1	40mm square, Split, Vert.	
S3	40mm square, 3-Color	※1)
W0	40×80mm Rect., Full-Face	
W1	40×80mm Rect., Split, Vert.	
W2	40×80mm Rect., Split, Horiz.	
W3	40×80mm Rect., 3-Color	※1)

T0	40mm square, Full-Face, Dome	
T3	40mm square, 3-Color, Dome	※4) ※5)
H0	40×80mm Rect., Full-Face, Dome	※4)
H3	40×80mm Rect., 3-Color, Dome	※4) ※5)

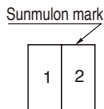
● LED COLOR ※3)

7	Red	Full-Face : Put color no. into the frame 1 Split-Face : Put color no. into the frame 1, 2 3-Color : Put color no. 7080 into the frame 1, 2 ※2)
8	Green	
9	Yellow	
X	Without LED	

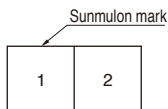
● NOTES

- ※1) In case of Negative illumination, please select Milk-White filter.
(Black silk printing to be applied on Milk-White filter)
- ※2) Simultaneous lighting is impossible for 3-Color Type.
- ※3) In case of Split-Face, LED and Filter color location should be specified as follow:

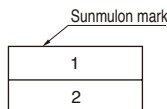
40mm square,
Split, Vert.



40×80mm Rect.,
Split, Vert.



40×80mm Rect.,
Split, Horiz.



- ※4) In case of selecting Dome type, filter is not needed, so please select Without Filter(X)
- ※5) Milk-White color filter or dome cover must be selected for 3-Color type.
- ※6) Snap-spring metal plates come out Left/Right direction for Vertical Mounting, and Top/Bottom direction for Horizontal Mounting to avoid interfering mutually in case of serial mounting. Therefore, in case of independent use, it does not matter. (select 2 Horizontal ordinary)

● MOUNTING

1	For Horiz. Mtg.
2	For Vert. Mtg.

● SUPPLY VOLTAGE

2	12V
3	24V
X	Without LED

● TERMINAL

K	With Connector
N	Without Connector

● HOUSING COLOR

K	Black
H	Grey

● FILTER COLOR ※3)

1	Red	Full-Face : Put color no. into the frame 1 Split-Face : Put color no. into the frame 1, 2 3-Color : Put color no. 4 into the frame 1
2	Green	
3	Yellow	
4	Milk-White	
X	Without Filter	

● COVER PLATE

C	Transparent
SK	Semitransparent (for Negative) ※1)

● DOME COVER

R	Red	※	Y	Yellow
G	Green		M	Milk-White

※ "Yellow" color for LED/Filter is actually "Orange Yellow".

MATRIX INDICATOR

CL — X

● COLUMN

01	1
⋮	⋮
10	10

● ROW

01	1
⋮	⋮
10	10

According to user's specification, suffix no. will be given.

● MATRIX FRAME

K	Black
H	Grey
X	Without Frame

- In case of Matrix Indicator, please inquiry us how to order.

ORDERING CODE II (Super CL LED COLOR)

UNIT

CL — 1 2 1 2

● SHAPE & ILLUMINATION

S0	40mm square, Full-Face	
S1	40mm square, Split, Vert.	
S3	40mm square, 3-Color	※1)
W0	40×80mm Rect., Full-Face	
W1	40×80mm Rect., Split, Vert.	
W2	40×80mm Rect., Split, Horiz.	
W3	40×80mm Rect., 3-Color	※1)

T0	40mm square, Full-Face, Dome	
T3	40mm square, 3-Color, Dome	※4) ※5)
H0	40×80mm Rect., Full-Face, Dome	※4)
H3	40×80mm Rect., 3-Color, Dome	※4) ※5)

● LED COLOR ※3)

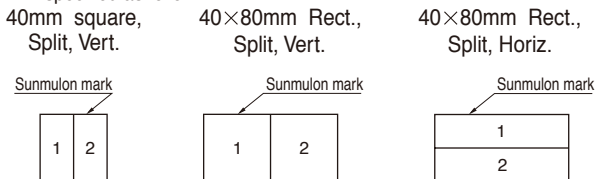
70	Red	Full-Face : Put color no. into the frame 1 Split-Face : Put color no. into the frame 1, 2 (7070, 7080, 7090 8070, 8080, 8090 9070, 9080, 9090 combination only) 3-Color : Put color no. 7080 into the frame 1, 2 ※2)
80	Green	
90	Yellow	
14	Super Blue	
16	Super White	
18	Super Green	
×	Without LED	

● NOTES

※1) In case of Negative illumination, please select Milk-White filter.
(Black silk printing to be applied on Milk-White filter)

※2) Simultaneous lighting is impossible for 3-Color Type.

※3) In case of Split-Face, LED and Filter color location should be specified as follow:



※4) In case of selecting Dome type, filter is not needed, so please select Without Filter(X)

※5) Milk-White color filter or dome cover must be selected for 3-Color type.

※6) Snap-spring metal plates come out Left/Right direction for Vertical Mounting, and Top/Bottom direction for Horizontal Mounting to avoid interfering mutually in case of serial mounting. Therefore, in case of independent use, it does not matter. (select 2 Horizontal ordinary)

● MOUNTING

1	For Horiz. Mtg.
2	For Vert. Mtg.

● SUPPLY VOLTAGE

2	12V
3	24V
×	Without LED

● TERMINAL

K	With Connector
N	Without Connector

● HOUSING COLOR

K	Black
H	Grey

● FILTER COLOR ※3)

1	Red	Full-Face : Put color no. into the frame 1 Split-Face : Put color no. into the frame 1, 2 3-Color : Put color no. 4 into the frame 1
2	Green	
3	Yellow	
4	Milk-White	
×	Without Filter	

● COVER PLATE

C	Transparent
SK	Semitransparent (for Negative) ※1)

● DOME COVER

R	Red	※	Y	Yellow
G	Green		M	Milk-White

※ "Yellow" color for LED/Filter is actually "Orange Yellow".

MATRIX INDICATOR

CL — ×

● COLUMN

01	1
⋮	⋮
10	10

● ROW

01	1
⋮	⋮
10	10

● In case of Matrix Indicator, please inquiry us how to order.

□ □ □ □ □

According to user's specification, suffix no. will be given.

● MATRIX FRAME

K	Black
H	Gray
X	Without Frame