

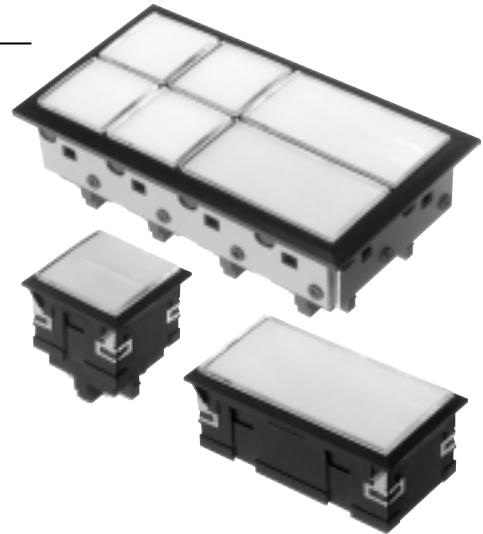
3L LED Indicator

**Updated gorgeous design.
Soft and bright illumination makes up the panels beautiful.**

Bright and Various illumination (Mono-color, Split-face, Dual-color, Negative) with R-shaped clear cover, makes easy planning of multiple design.

FEATURES

- Size : 30mm square type.
30×62mm rectangular type.
- Depth behind panel : Only 28mm (Connector type)
- Illumination : Mono-Color, Split-Face, Dual-Color, Negative
- Terminal : Connector Type, Screw Type
- Supply Voltage : DC5V, 12V, 24V, 48V
(12, 24, 48V=Both AC/DC possible to use)
- Low bright type (Mono-color only)



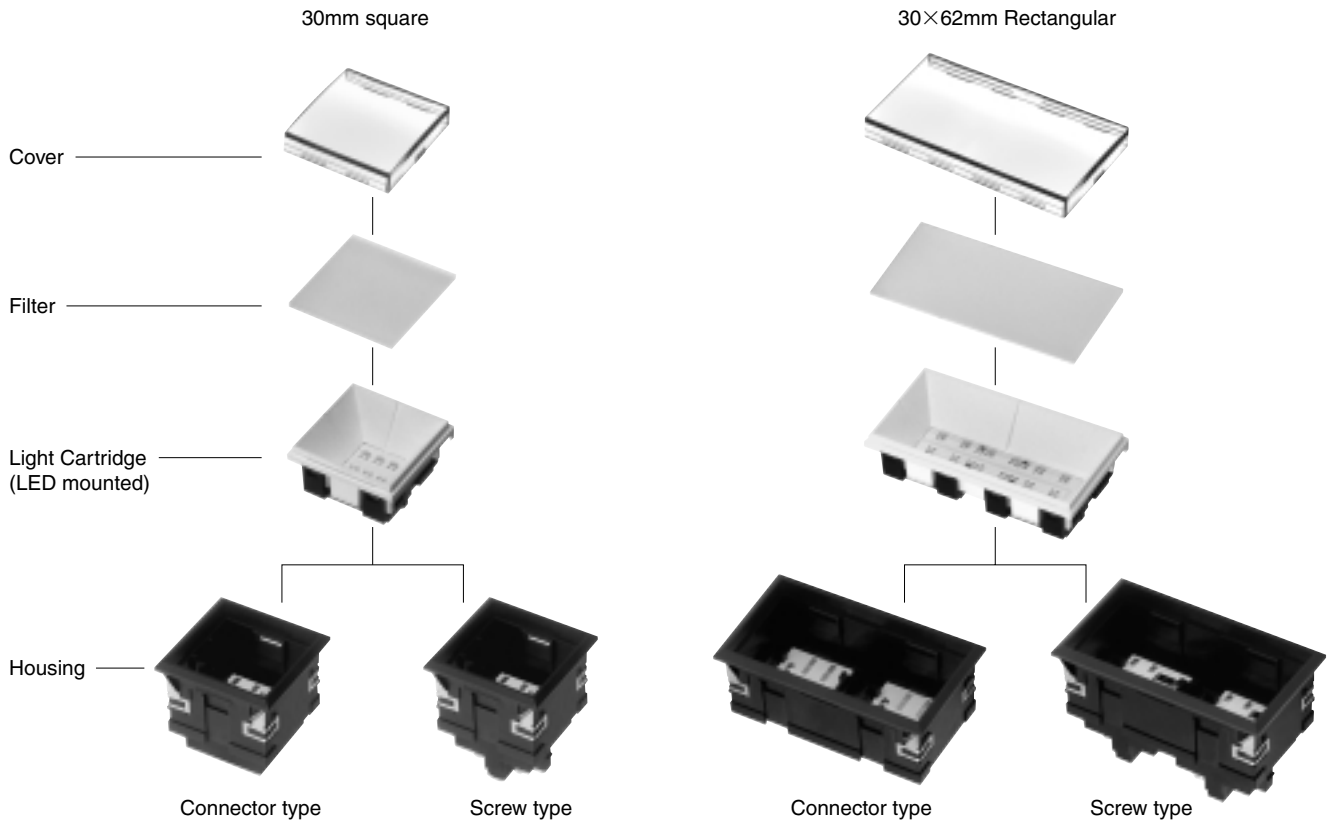
SPECIFICATIONS

Insulation Resistance	More than 100MΩ at 500V DC
Dielectric Strength	2000V AC RMS between terminals and ground (50/60Hz for 60sec. at normal ambient temperature and humidity)
Ambient Temperature	-10°C ~ +40°C
Ambient Humidity	45 ~ 80% RH


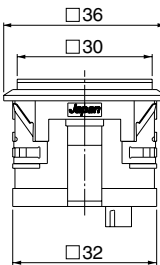
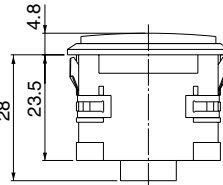
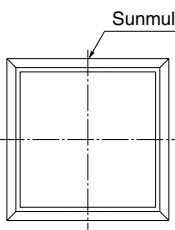

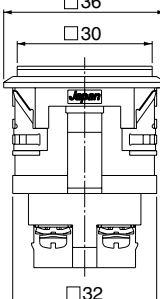
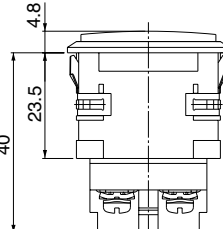
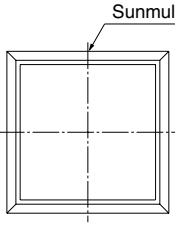
LED DATA

	Supply Voltage (V) ±5%	Current Rating (mA)															
		Mono-color				Mono-color(low bright)				Dual-color				Split-Face			
		R/Y	G	SB/SG	SW	R/Y	G	SB/SG	SW	R/Y	G	SB/SG	SW	R/Y	G	SB/SG	SW
30mm square	DC5V	50	70	34	40	30	40	20	24	50	70	34	40	25	35	17	22
	AC/DC12V	22	26	18	22	12	16	10	12	22	26	18	22	11	13	9	11
	AC/DC24V	11	13	9	11	6	8	5	6	11	13	9	11	11	13	9	11
	AC/DC48V	11	13	9	11	6	8	5	6	11	13	9	11	11	13	9	11
30×62mm Rect.	DC5V	100	140	68	75	60	80	40	48	100	140	68	75	50	70	34	40
	AC/DC12V	44	52	36	44	24	32	20	24	44	52	36	44	22	26	18	22
	AC/DC24V	22	26	18	22	12	16	10	12	22	26	18	22	11	13	9	11
	AC/DC48V	11	13	9	11	6	8	5	6	11	13	9	11	11	13	9	11

STRUCTURE


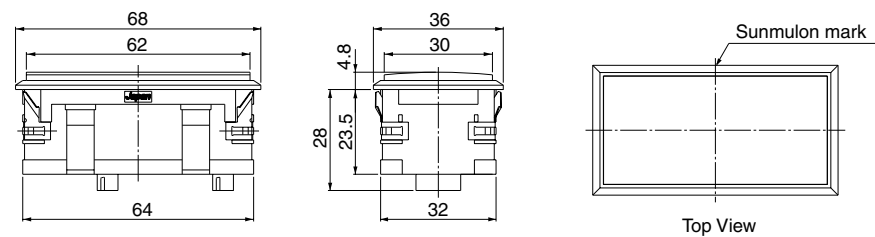

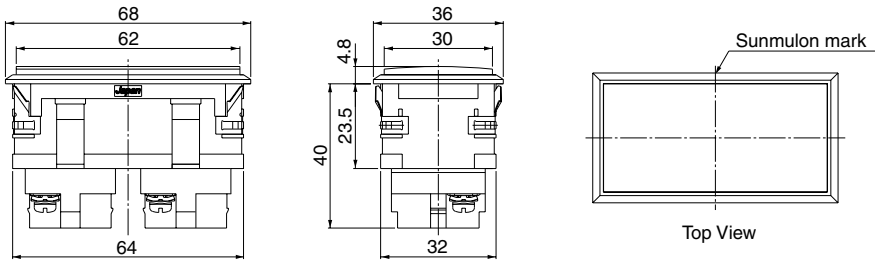


DIMENSIONS

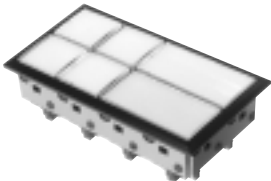
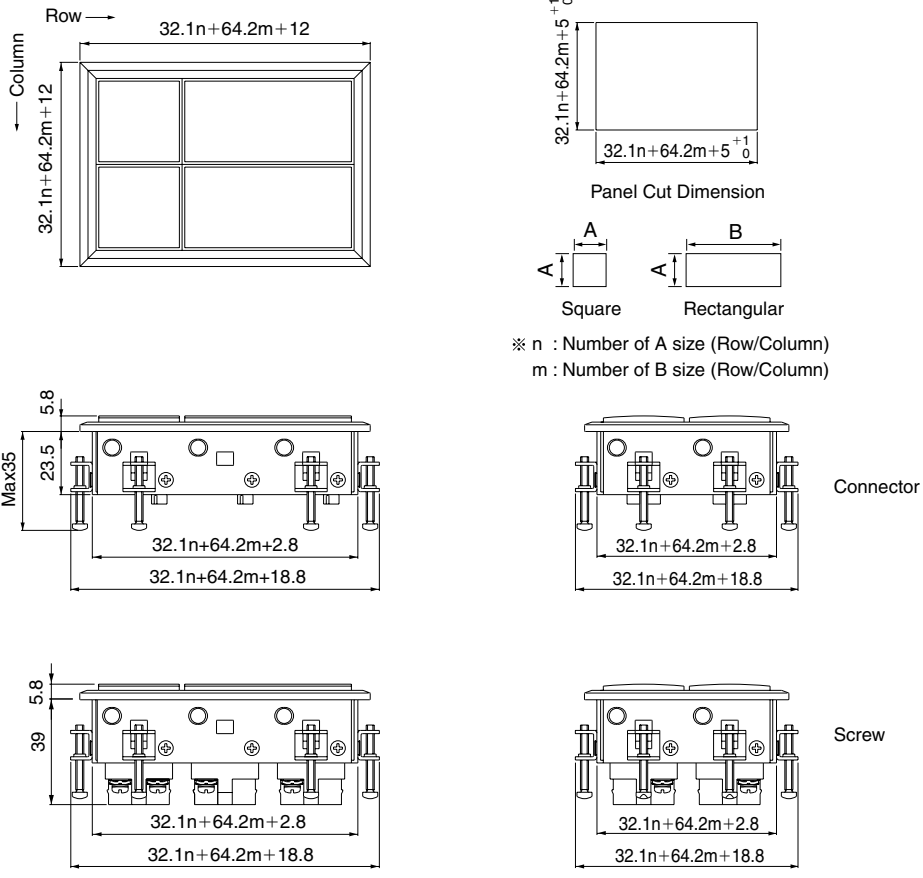
<p>30mm square, Connector type</p> 			 <p>Top View</p>
<p>30mm square, Screw type</p> 			 <p>Top View</p>

Tolerance : ±0.4mm

DIMENSIONS

<p>30×62mm Rect. Connector type</p> 	
<p>30×62mm Screw type</p> 	

Panel Thickness : 1mm~6mm

<p>Matrix Mounting (with Matrix Frame)</p> 	 <p>Row →</p> <p>← Column</p> <p>Panel Cut Dimension</p> <p>Square Rectangular</p> <p>※ n : Number of A size (Row/Column) m : Number of B size (Row/Column)</p> <p>Connector</p> <p>Screw</p>
--	--

Tolerance : ±0.4mm

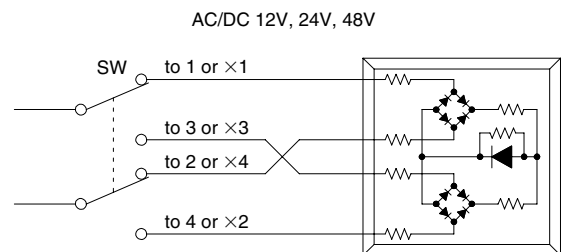
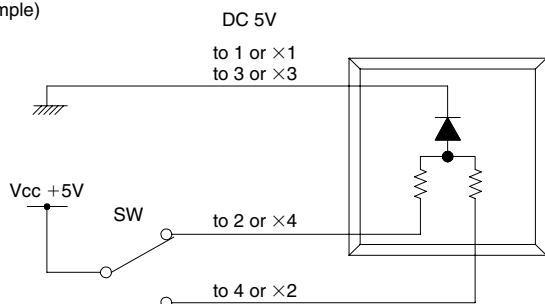
INTERNAL CONNECTION ARRANGEMENTS

● 30mm square

	DC 5V	AC/DC 12V, 24V, 48V
Mono-color		
※ Mono-color (low bright)		
Dual-color		
Split-face		

※ In case of Mono-color, low bright type, please provide like a following circuit to prevent the current flow to another circuit.

(example)



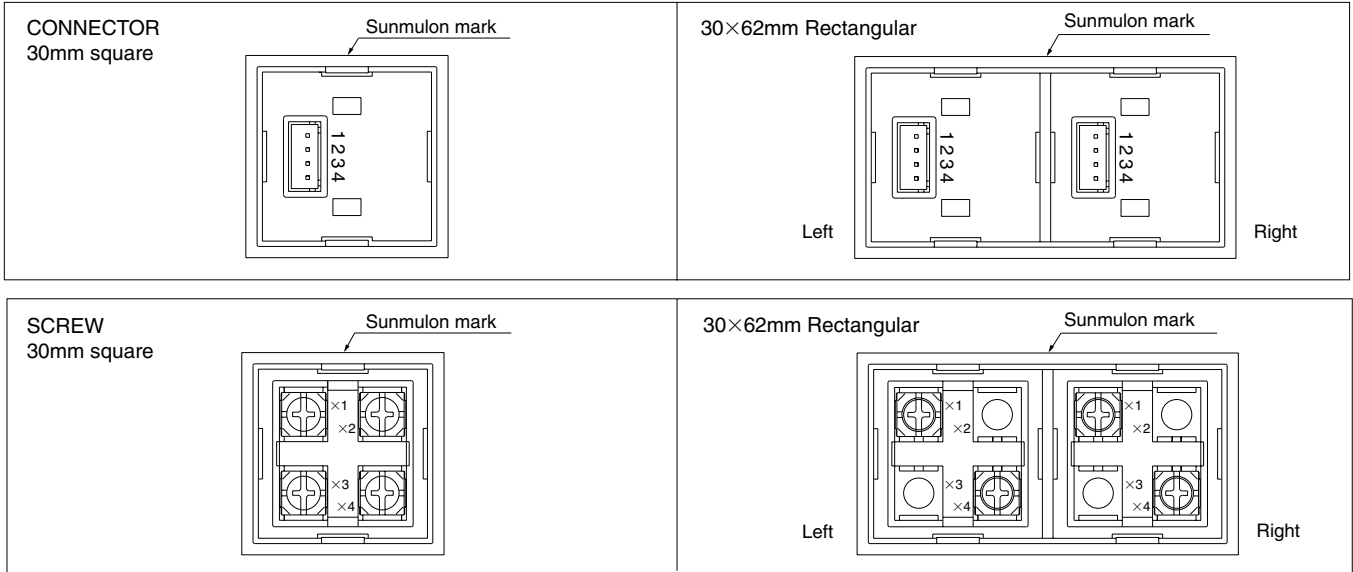
INTERNAL CONNECTION ARRANGEMENTS

● 30×62mm Rectangular

	DC 5V	AC/DC 12V, 24V, 48V
Mono-color		
※ Mono-color (low bright)		
Dual-color		
Split-Face (Vertical)		
Split-Face (Horizontal)		

※ Please refer previous page.

TERMINAL LAYOUT



● 30mm square

Term. No.		Mono-color		Mono-color(low bright)		Dual-color		Split-face				
Con.	Scw.	5V	12, 24, 48V	Br.	5V	12, 24, 48V		5V	12, 24, 48V	Upper	5V	12, 24, 48V
1	×1	Cathode	Anode/Cathode (no polarity)	std.	Cathode	Anode/Cathode (no polarity)	No.1 (※1)	Cathode	Anode/Cathode (no polarity)	Upper (※3)	Cathode	Anode/Cathode (no polarity)
2	×4	Anode			Anode			Anode			Anode	
3	×3	—	—	low	Cathode	Anode/Cathode (no polarity)	No.2 (※2)	Cathode	Anode/Cathode (no polarity)	Lower (※4)	Cathode	Anode/Cathode (no polarity)
4	×2	—	—		Anode			Anode			Anode	

● 30×60mm Rectangular

Term. No. (※5)		Mono-color		Mono-color(low bright)		Dual-color		Split-face (Vert.)			Split-face (Horiz.)				
Con.	Scw.	5V	12, 24, 48V	Br.	5V	12, 24, 48V		5V	12, 24, 48V	5V	12, 24, 48V	5V	12, 24, 48V		
Right 1	Right×1	Cathode	Anode/Cathode (no polarity)	std.	Cathode	Anode/Cathode (no polarity)	No.1 (※1)	Cathode	Anode/Cathode (no polarity)	Left (※3)	Cathode	Anode/Cathode (no polarity)	Upper (※3)	Cathode	Anode/Cathode (no polarity)
Right 2	Right×4	Anode			Anode			Anode			Anode				
Left 1	Left×1	—	—	low	Cathode	Anode/Cathode (no polarity)	No.2 (※2)	Cathode	Anode/Cathode (no polarity)	Right (※4)	Cathode	Anode/Cathode (no polarity)	Lower (※4)	Cathode	Anode/Cathode (no polarity)
Left 2	Left×4	—	—		Anode			Anode			Anode				

※1. Please refer (ORDERING CODE). No.1 = Frame 1

※2. Please refer (ORDERING CODE). No.2 = Frame 2

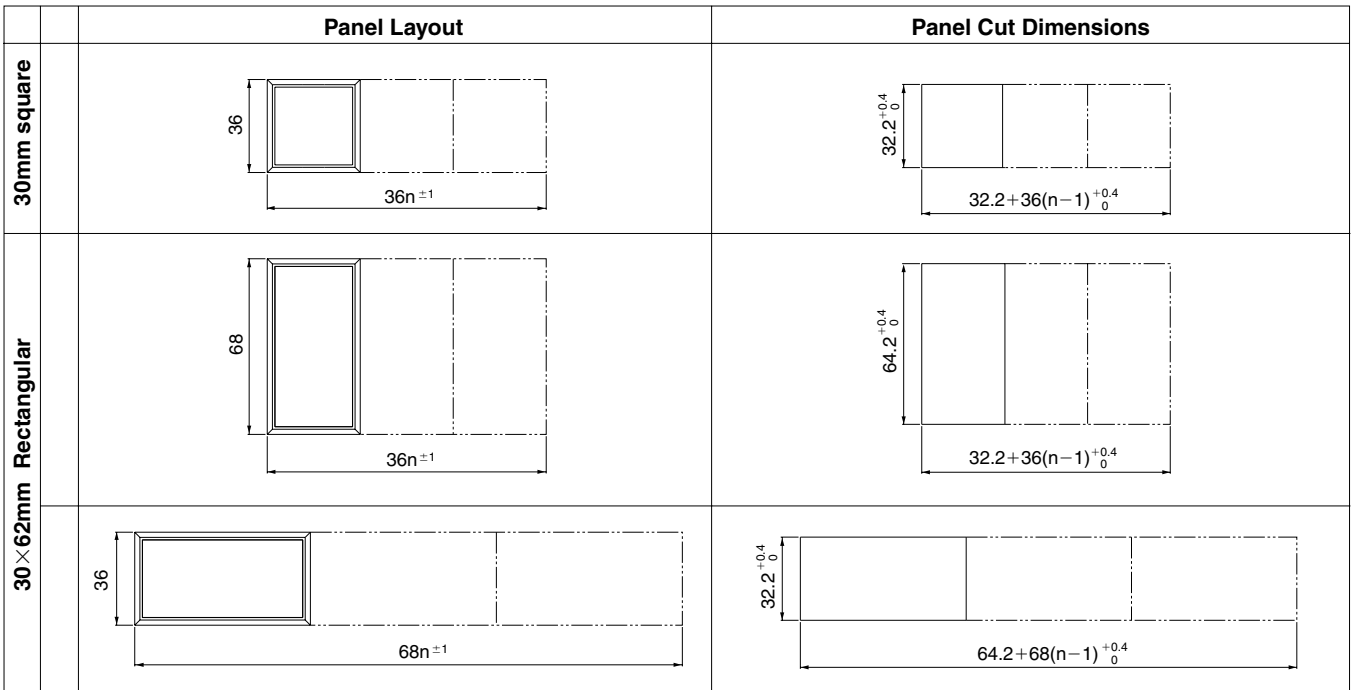
※3. Please refer (ORDERING CODE), figure of split-face. (Window No. 1)

※4. Please refer (ORDERING CODE), figure of split-face. (Window No. 2)

※5. Regarding as "Right/Left", please refer (INTERNAL CONNECTION ARRANGEMENTS) AND (TERMINALS LAYOUT)

Panel Layout/Panel Cut Dimensions

Panel Thickness : 1mm~4mm



n : number of indicators Tolerance : ±0.4mm

